

# TECHNICAL DATASHEET



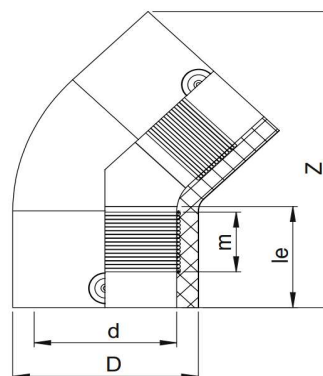
## EF ELBOW 45°

04 Update - 06/2023

### TECHNICAL DATA

Article No	101 117 2022 0110
d (mm)	110
D (mm)	137
Z (mm)	213
le (mm)	75
m (mm)	38,1
Weight (Kg)	0,930
Box Quantity (pcs)	10
Box Dimension (cm)	31x50x43

### INJECTION MOULDED



### IDENTIFICATION OF PRODUCT

D(mm)	110
SDR	11
RAW MATERIAL	PE 100
PRESSURE CLASS	16 Bar Water 10 Bar Gas
TRADEMARK	NTG
EXECUTION	Injection Moulded
STANDARD	EN 12201-3 EN 1555-3 AS / NZS 4129
SPECIFICATION	Suitable for SDR11...17 pipe 4 mm pin connectors

### EF SPECIFICATION

WELDING VOLTAGE	40 V
RESISTANCE	0,83 Ω
WELDING TIME	140 Sec.
COOLING TIME	10 Min.
WINDING TYPE	Monofilar

### WELDING BARCODE



981420311103990835140116

Tolerance on diameters and thickness according to the standards. The other dimensions are specialized. Tolerance  $\pm 5\%$ . NTG PLASTIK reserves all the right to change any information without giving prior notice. The production, distribution and utilization of this document without explicit authorization is prohibited.